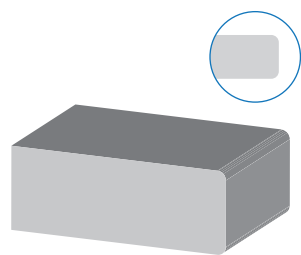
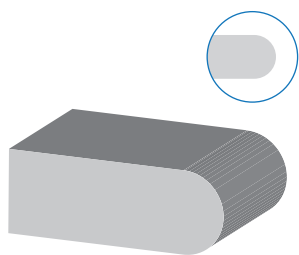


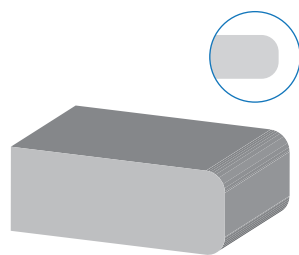
3/4" (2cm) Standard Series



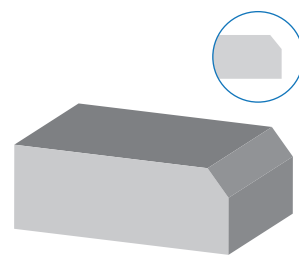
***The Eased Edge**



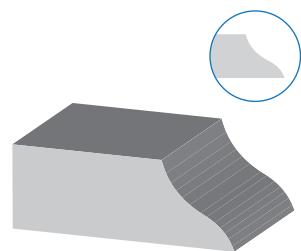
The Bullnose



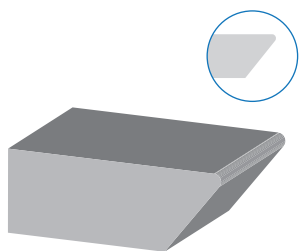
The D Nose



The Top Bevel 1/4" +/-

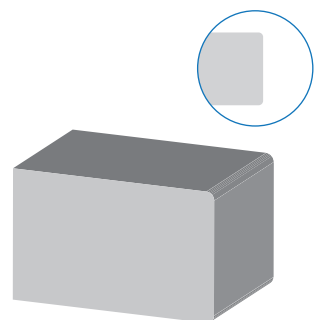


The Ogee

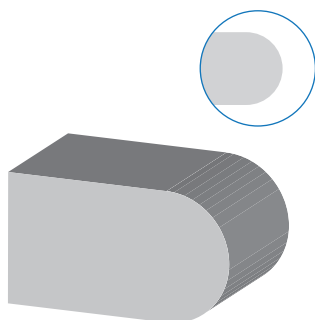


The Shark Nose

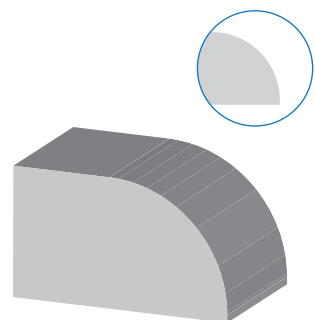
1 1/4" (3cm) Standard Series



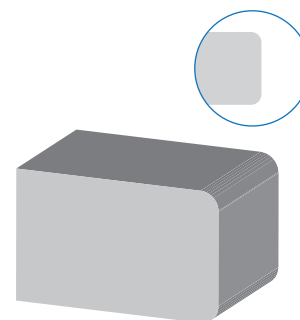
***The Eased Edge**



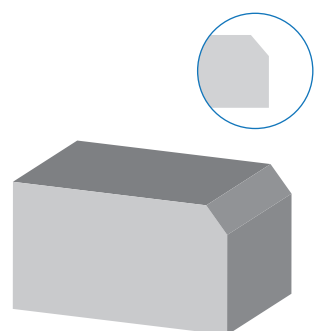
The Bullnose



The Half Bullnose

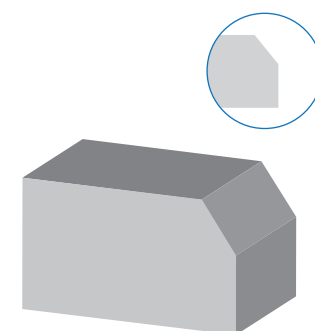


The D Nose



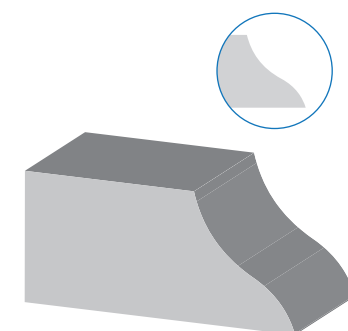
The Top Bevel 1/4" +/-

By Request Only

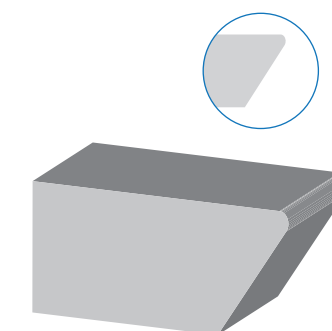


The Top Bevel 3/8" +/-

Standard



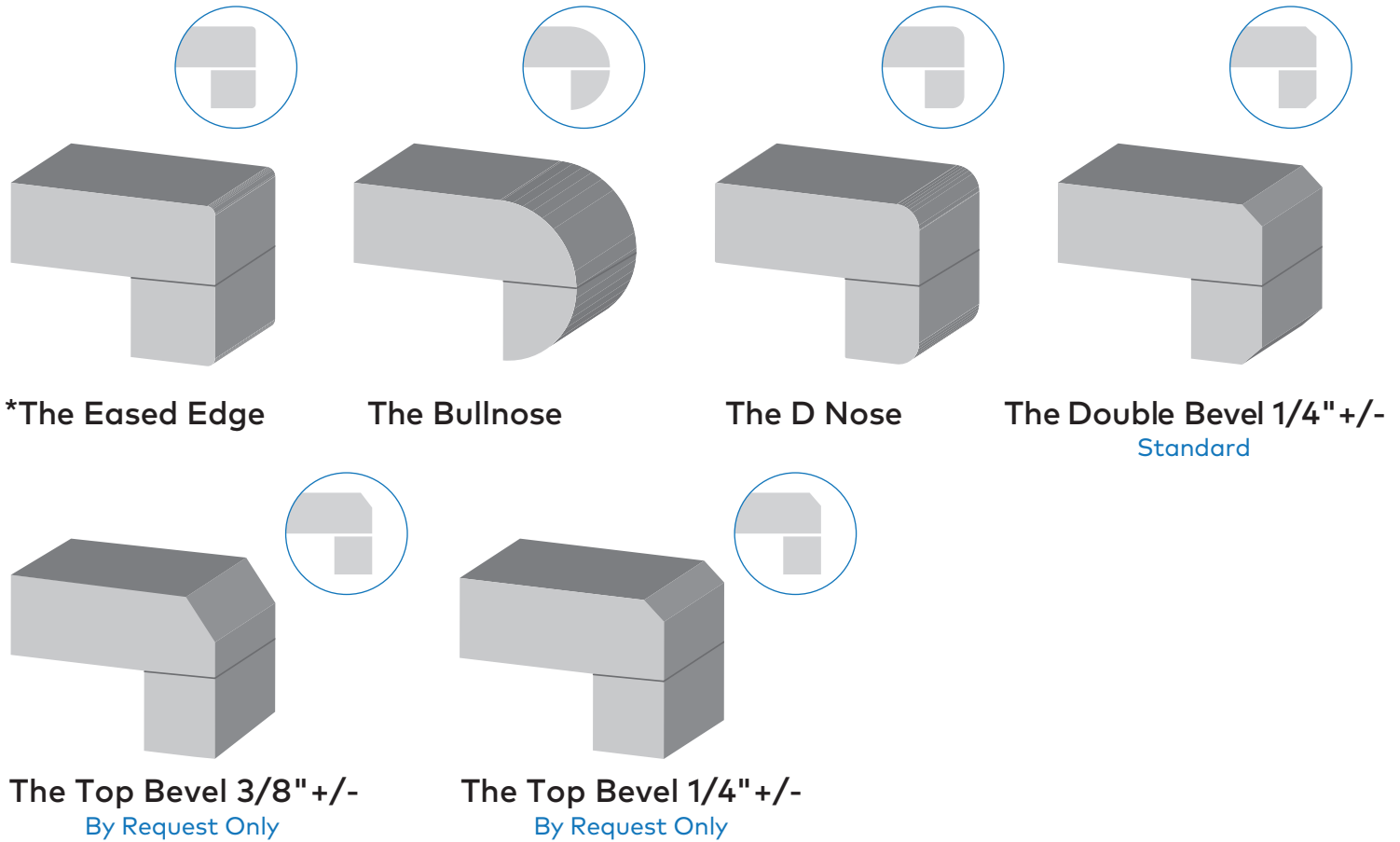
The Ogee



The Shark Nose

The Shark Nose edge profile must have a minimum 1" overhang past the door
 Dekton edge profiles are only available in The Eased Edge and Mitred Eased Edge profiles

Laminated Series



***The Eased Edge**

The Bullnose

The D Nose

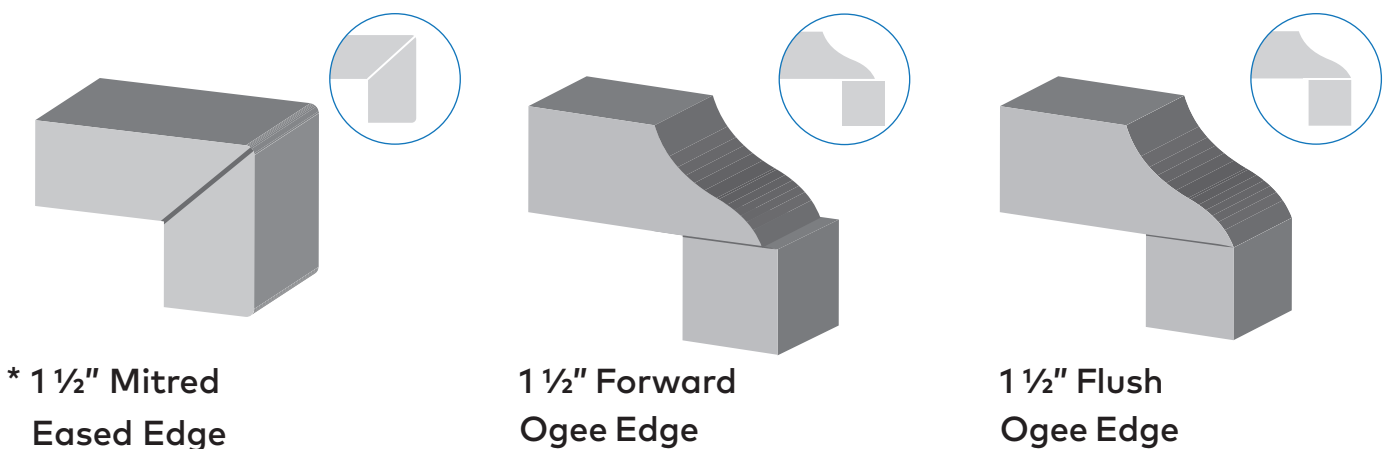
**The Double Bevel 1/4" +/-
Standard**

**The Top Bevel 3/8" +/-
By Request Only**

**The Top Bevel 1/4" +/-
By Request Only**

ICON SERIES

Pricing for mitred edge is based on 1.5". Any mitre request up to 10" will need to be specified at quoting for accurate pricing.



*** 1 1/2" Mitred
Eased Edge**

**1 1/2" Forward
Ogee Edge**

**1 1/2" Flush
Ogee Edge**

*The Eased Edges and Mitred Eased Edge are profiles eligible for waterfall panels
 1 1/2" Mitred Eased Edge is also available with 12 millimeter thick material
 The Shark Nose edge profile must have a minimum 1" overhang past the door
 Dekton edge profiles are only available in The Eased Edge and Mitred Eased Edge profiles